



Powerscreen International. Dist. Ltd.
Coalisland Road, Dungannon,
Co.Tyrone, N.Ireland BT71 4DR
Tel: +44(0) 2887 740701
Fax: +44(0) 2887 746569
Email: mail@powerscreen.com

INTRODUCING THE WARRIOR 1400

JACK UP SCREENBOX



All specifications subject to change without prior notice.

Technical Specification



WARRIOR 1400 24-01-2007

Page 2

FEATURES

- | | |
|------------------------------|-------------------------------------|
| • Total weight (Belt Feeder) | 25,600 kg (28.22 US Ton) ESTIMATED |
| • Width (transport) | 2.75 m (9') |
| • Length (transport) | 14.25 m (46'-9") |
| • Length (working) | 13.51 m (44'-4") |
| • Height (transport) | 3.2 m (10'6") |
| • Hopper capacity | 6.78 m ³ (8.87 cu. yds.) |
| • Screenunit | 2-bearing 3.6m x 1.5m (12' x 5') |
| • Powerunit | Diesel Hydraulic. |

ADVANTAGES

- High capacity, up to 500 TPH (depending on mesh sizes and material type).
- Quick set up time typically under 15 minutes.
- Maximum mobility with heavy duty, low ground pressure crawler tracks.
- Removable heavy duty pendant remote control system.
- Optional radio control system available if required.
- High performance hydraulic system – Quality pumps and motors with commercial hydraulic control valves.
- Access walkway for screenbox.
- Hydraulically folding hopper sides
- Heavy-duty 2-bearing screen box with 10mm stroke (optional 12mm stroke)
- Hopper exit opening 1.2m wide enabling screening of large items i.e. tree stumps, logs, boulders, etc.
- Screenbox lifts to allow access to change bottom deck mesh

APPLICATIONS

- Sand and gravel
- Topsoil
- Coal
- Crushed stone
- Recycling
- Compost

Technical Specification



WARRIOR 1400 24-01-2007

Page 3

Hopper:

Target area: 4.4m long x 2.7m wide.
Hopper capacity: 6.78 m³ (8.87 yrd³)
Feed in height: 2.88m (rear hopper door lowered)
Hardox side plates.
Lowering section to rear to reduce feed in height for smaller crushers.

Screenunit:

12' x 5' (3.6 x 1.5m) double deck 2-bearing.
15 to 18 degrees screen angle adjustable.
Self adjusting motor stand.
10mm stroke @ 920 ±10 RPM
12mm stroke @ 860 ±10 RPM

Feed Conveyor:

1300mm (51") wide 4-ply plain belt. Direct feed conveyor fitted with twin direct drive system & hydraulic variable speed control.
Impact bars and 5 off 'extra heavy' duty impact rollers fitted beneath belt.
3.43m (11'-3") drum centres.
Optional 1300mm hardox apron feeder.

Collection Conveyor below screenbox:

1200mm (48") wide 3ply plain belt.
2.80m (9'-2") drum centres.

Fines Conveyor:

900mm (36") wide 3-ply plain belt.
Hydraulically folding.
14 to 25 degrees angle adjustable.
3.45m (11'-4") stockpile height. (Measured to drum crown).
61 m³ (80 yrd³) Stockpile capacity.
Impact bars under feed boot.

Mid-Oversize Conveyor:

900mm (36") wide 3-ply plain belt.
Hydraulically folding.
14 to 25 degrees angle adjustable.
3.3m (10'-9") stockpile height. (Measured to drum crown).
53.5 m³ (70 yrd³) Stockpile capacity.
Impact bars under feed boot.
Variable speed control.

Technical Specification



WARRIOR 1400 24-01-2007

Page 4

Oversize Conveyor:

1200mm (48") wide 3-ply chevron belt.
Variable speed control.
Impact bar along entire length.
Conveyor slide up system for access to bottom deck meshes.
10 to 24 degrees angle adjustable.
3.6 m (11'-10") stockpile height. (Measured to drum crown).
69.5 m³ (91 yrd³) Stockpile capacity.

Powerunit & Hydraulics:

Diesel engine:	82 kW (109 Hp), developing 74 kW (99Hp) at 2200 rpm.
Flywheel pump:	5046/5033/5033
PTO pump:	5023/5023 (23cc/rev each circuit)
Belt Feeder Motors:	OMSS125 (125cc/rev)
Apron Feeder Motor:	OMTS400 (400cc/rev)
Collection Conveyor Motor:	OMH500 (500cc/rev) – optional OMTS 500
Fines Conveyor Motor:	OMH500 (500cc/rev) – optional OMTS 500
Oversize Conveyor Motor:	OMV800 (800cc/rev)
Mid-Oversize Motor:	OMH500 (500cc/rev) – optional OMTS 500
Screen Motor:	MCC 2208 (58.7cc/rev)

Tank Capacities:

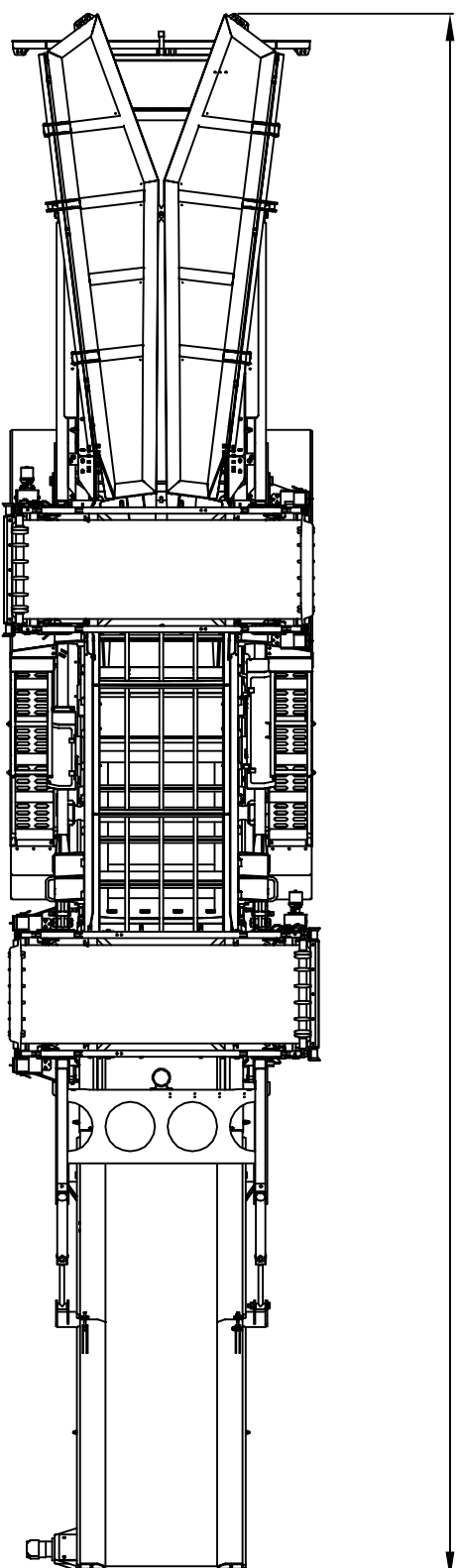
Hydraulic tank:	564 L (124 Gal)
Diesel tank:	336 L (74 Gal)

Crawler Track Data:

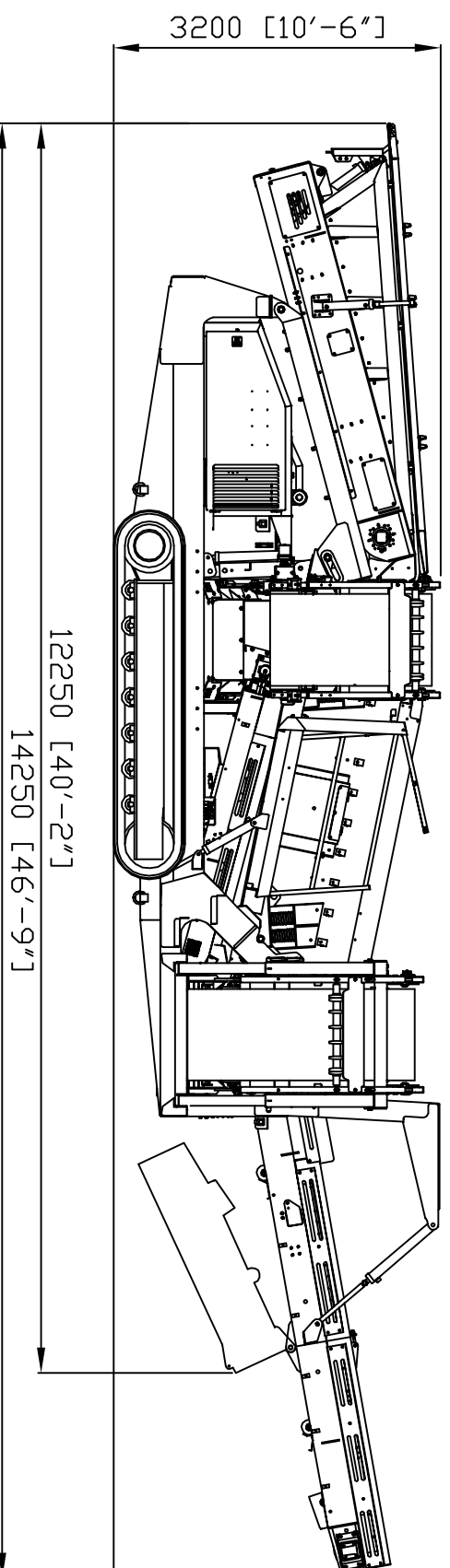
Gradability Percentage	=	46.2 % (20.8 degrees)
Gearbox Ratio	=	170.2:1
Hydraulic Motor	=	Rexroth 45 cc/rev
Approximate Speed	=	1.0 Km/hr

Options:

Heavy duty Hardox Apron feeder instead of belt feeder.
Hardox or mild steel punch plate screens.
Finger screens on top or bottom decks.
'Z' meshes complete with ball deck and SCS™ (Self Cleaning Screen).
Bofor bar top decks.
Oversize conveyor can be dropped down allowing oversize and mid-oversize product to be combined



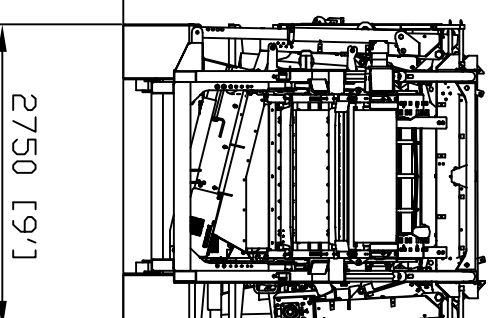
14250 [46'-9"]



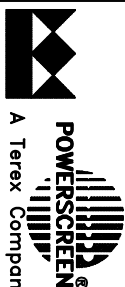
3200 [10'-6"]

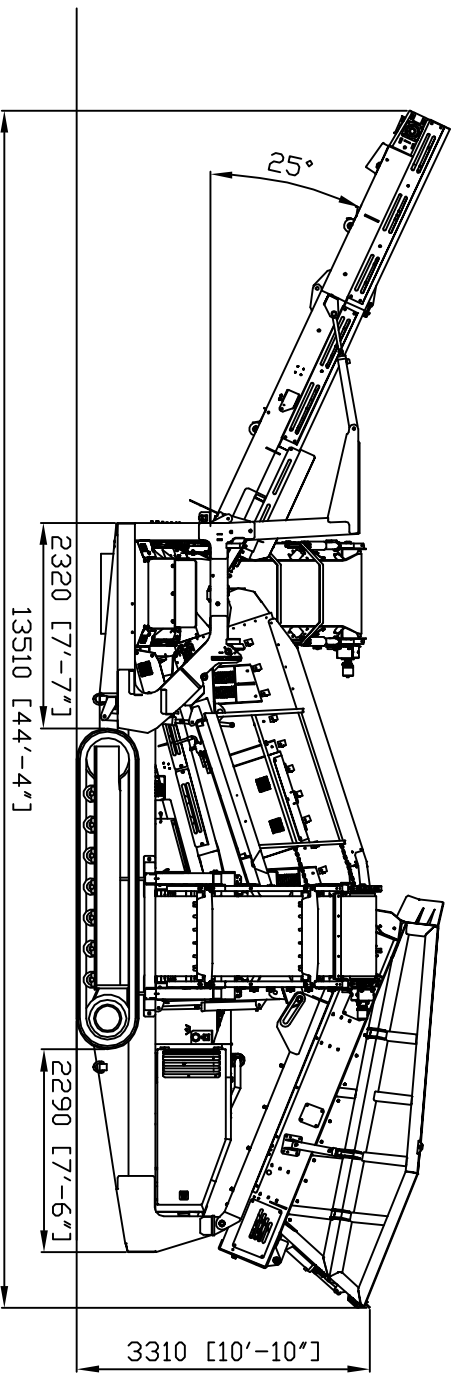
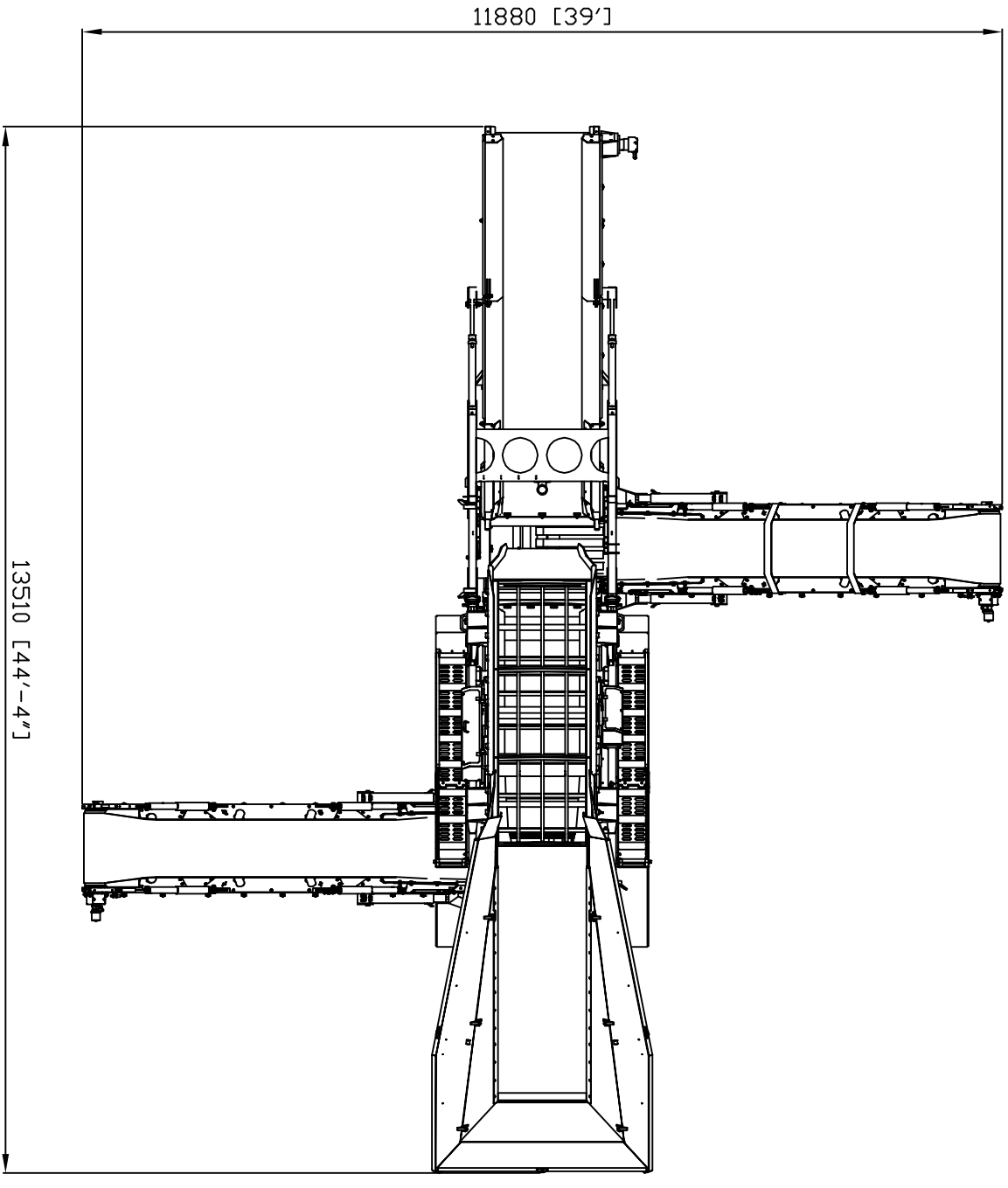
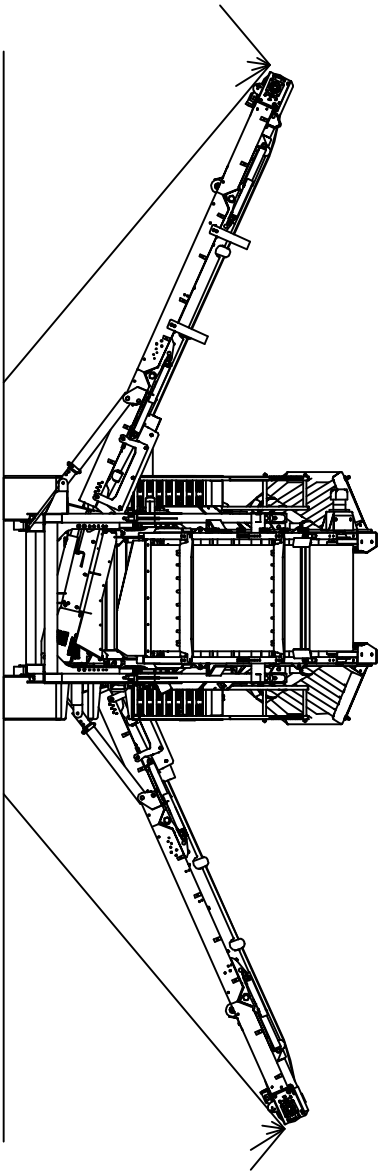
12250 [40'-2"]

14250 [46'-9"]



2750 [9']

SCALE	DRAWN	DATE	CHECKED	DATE	ISSUE	DATE	BY	REVISION
1:1	AM	06/10/2005						
DRAWING No.		DRAWING TITLE						
		WARRIOR 1400 WITH JACK UP SCREENBOX						
 POWERSCREEN A Terex Company		207 COAL ISLAND RD DUNGANNON N. IRELAND TEL 0086872 49701 FAX 0086872 47231 EMAIL info@powerscreen.co.uk						



SCALE	DRAWN	DATE	CHECKED	DATE	ISSUE	DATE	BY	REVISION
1:1	AM	10/11/2005						
DRAWING NO.		DRAWING TITLE						
		WARRIOR 1400 WITH JACK UP SCREENBOX						


POWERSCREEN
 A Terex Company
 207 COAL ISLAND RD
 DUNGANNON N. IRELAND
 TEL: 0886972 49701
 FAX: 0886972 497231
 EMAIL: info@powerscreen.co.uk